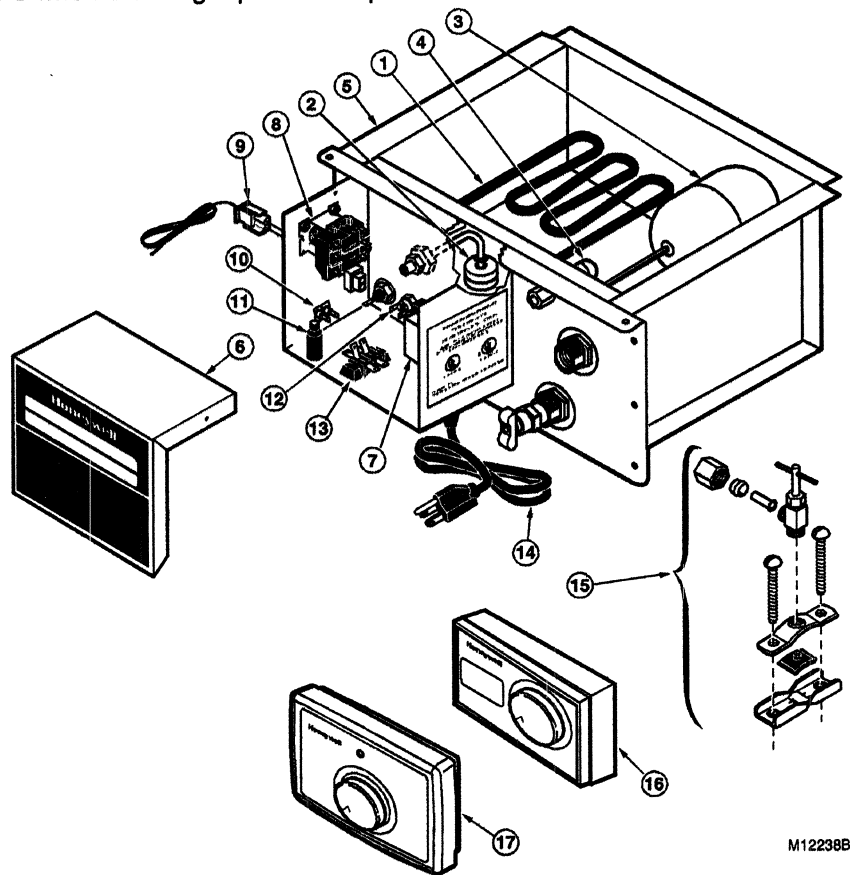


REPLACEMENT PARTS

Refer to Fig. 14 and Table 5 when ordering replacement parts.



M12238B

Fig. 14. Exploded view of humidifier parts.

Table 5. List of Replacement Parts for HE420A,B, HE460A,B Humidifiers.

Exploded View Number	Description	HE420 Part Number	HE460 Part Number
1	Incoloy® sheathed heating element	32000164-001	32000148-001
2	Safety float switch	32000149-001	32000149-001
3	Float for water fill valve	32000166-001	32000166-001
4	Water fill valve	32000167-001	32000167-001
5	Water pan assembly	32000152-001	32000152-001
6	Electrical enclosure cover	32000169-001	32000153-001
7	Transformer, 24 Vac	AT120B1010	AT120B1069
8	Control relay, dpst, 24 Vac	R8222C1008	R82222C1008
9	Fan wiring assembly	32000156-001	32000156-001
10	Humidistat control terminal block	32000157-001	32000157-001
11	Indicator light	32000158-001	32000158-001
12	Thermal fan switch	32000159-001	32000159-001
13	Power distribution block	32000160-001	32000160-001
14	Power supply cord with strain relief	32000177-001	32000161-001
15	Saddle valve assembly	32001616-001	32001616-001
16	Convertible Humidity Control	H908A1003	H908A1003
17	Automatic Humidity Control	H1008A1008	H1008A1008
—	Automatic Flushing Timer	HC40A1009	HC40A1009