

## PARTS LIST

### HR Parts List

Item Number (Fig. 13 and 14)	Part Number for			Description
	HR150B	HR200B	HR205B	
1	209746	209746	209746	Heat Transfer Core, Aluminum with Plastic Frame
2	208359	208359	208359	Blower Motor
3	50002341-001	50002341-001	—	Blower Housing Kit
4	209711	209711	209711	Motor Capacitor
5	208509	208509	208509	Condensate Pan, Left or Right
6	209723	209723	209723	Foam Prefilter, Set of 2
7	209722	209722	209722	Clip for Foam Prefilter
8	208514	208514	208514	Drain Spout
9	208516	208516	208516	Duct Collar, Red
10	208517	208517	208517	Duct Collar, Blue
11	208518	208518	—	H-Channel, 13-1/4 in.
12	208519	208519	208519	Door Hinge, Complete
13	208520	208520	208520	Door Latch, Complete
14	209715	209715	—	Defrost Damper Motor, Bi-directional
15	208522	208522	208522	Defrost Damper Door
16	208526	208526	208526	Speed Control Knob
17	208383	208383	208383	Manual Speed Control, 5-Position
18	50002342-001	50002342-001	50002342-001	Electronic Control Kit (Control Board, Transformer)
19	208365	208365	208365	Thermistor Assembly
20	208368	208368	208368	Door Interlock Switch
21	50002340-001	50002340-001	—	Door

## ER Parts List

Item Number See Fig. 15	Part Number for		Description
	ER150	ER200	
1	32002074-001	32002074-001	Cross-Flow Enthalpy Core, with Guide Channels
2	208359	208359	Blower Motor
3	50002341-001	50002341-001	Blower Housing Kit
4	209711	209711	Motor Capacitor
5	208509	208509	Condensate Pan, Left or Right
6	32002114-001	32002114-001	Foam Prefilter, Set of two
7	209722	209722	Clip for Foam Prefilter
8	208514	208514	Drain Spout
9	208516	208516	Duct Collar, Red
10	208517	208517	Duct Collar, Blue
11	208518	208518	H-Channel
12	208519	208519	Door Hinge, Complete
13	208520	208520	Door Latch, Complete
14	209715	209715	Defrost Damper Motor, Bi-directional
15	208522	208522	Defrost Damper Door
16	208526	208526	Speed Control Knob
17	208383	208383	Manual Speed Control, 5-Position
18	50002342-001	50002342-001	Electronic Control Kit (Control Board, Transformer)
19	208365	208365	Thermistor Assembly
20	208368	208368	Door Interlock Switch
21	50002340-001	50002340-001	Door

### Accessory Items Parts List Not Shown—All Models

Item Number	Part Number	Description
1	208378	Ducting Elbow, 4 in., plastic
2	208373	Diffuser—4 in. diameter
3	208374	Diffuser—5 in. diameter
4	208375	Diffuser—6 in. diameter
5	208379	Installation Parts Kit
6	272813	Flow Measuring Station—6 in.
7	208372	Airflow Balancing Kit*
8	W8150A1001	Fresh Air Ventilation Control
9	32003487-001	Digital Fan Timer, 20-minute

\*Includes magnehelic pressure gauge and two 6 in. flow measuring stations.

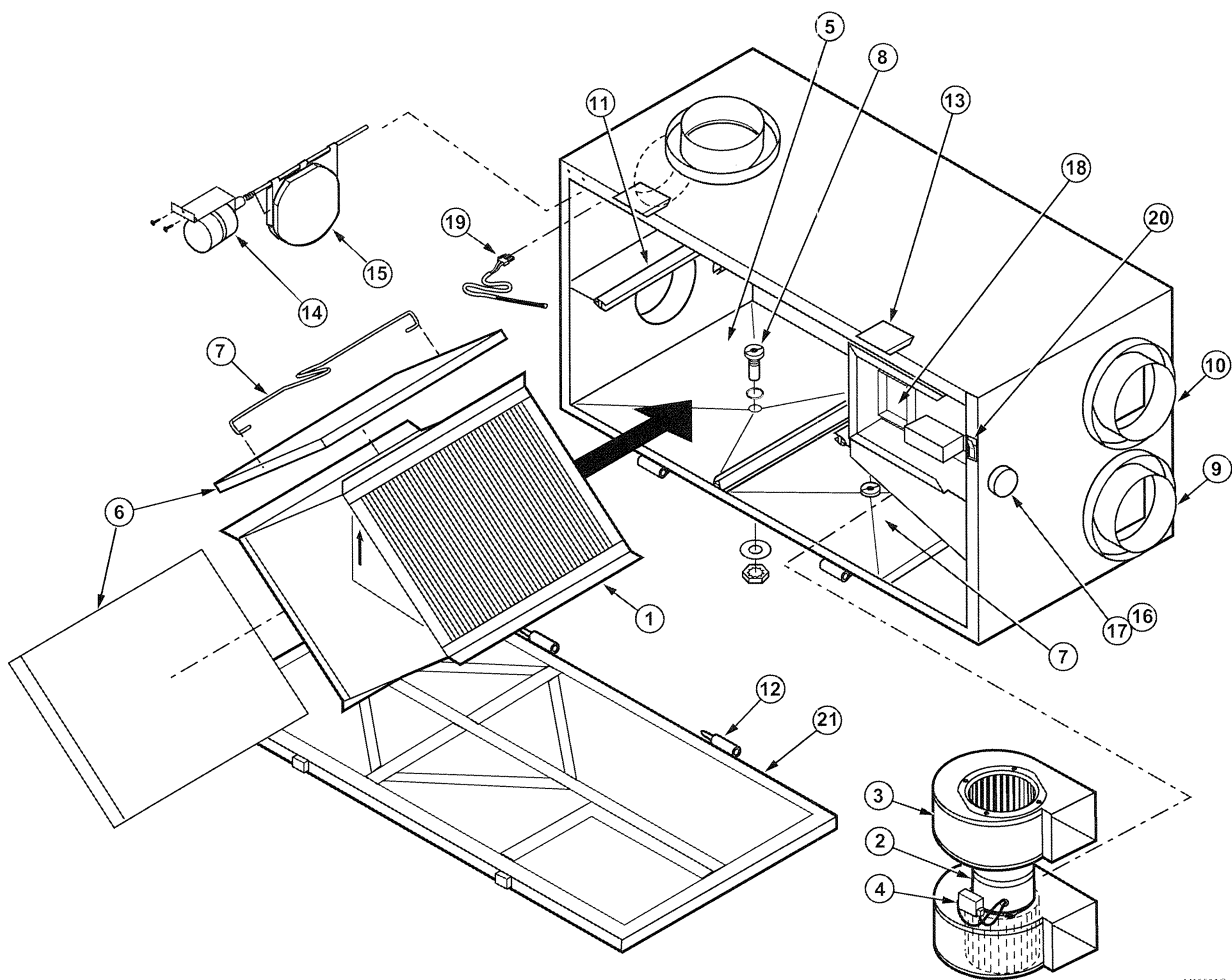


Fig. 13. HR150 and HR200 exploded view of parts keyed to HR Parts List.

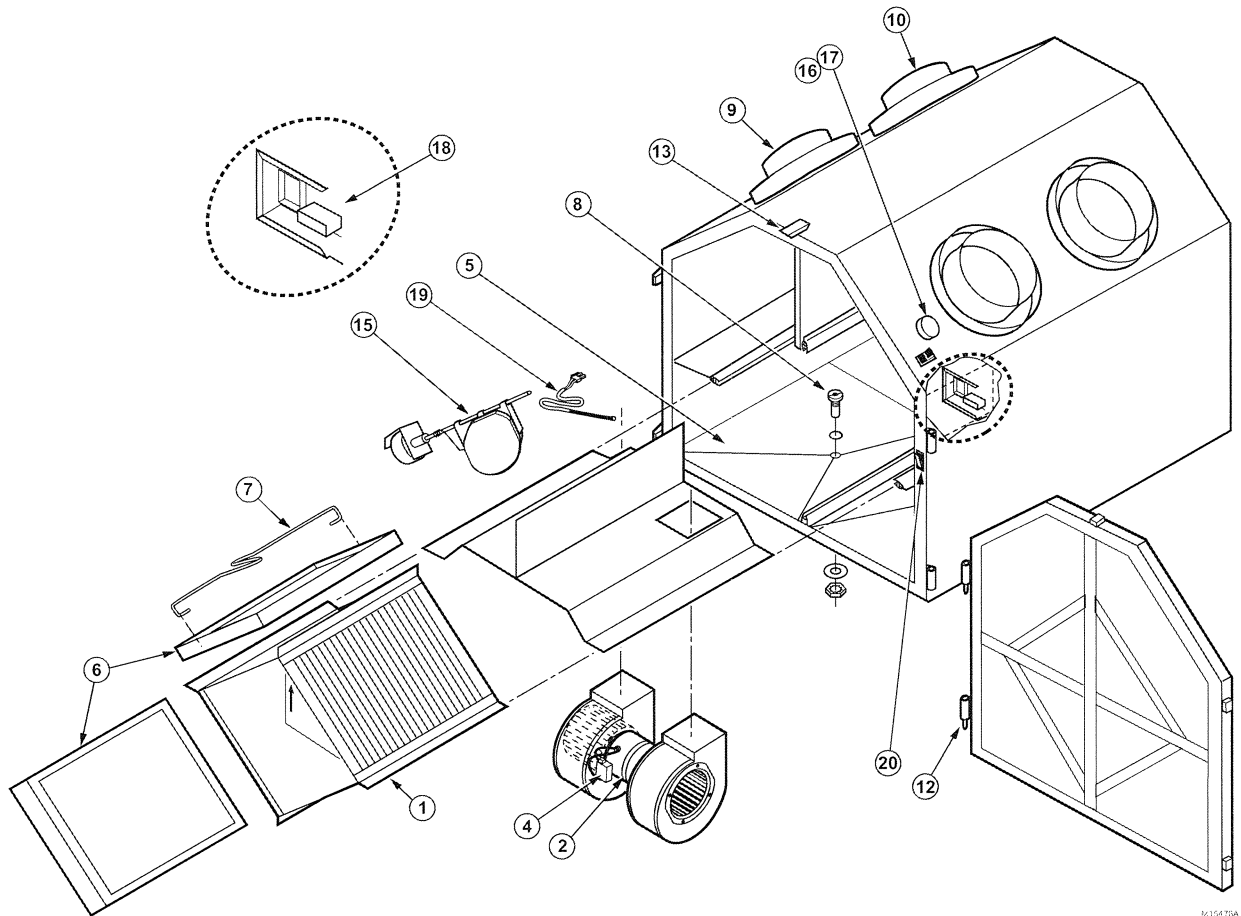


Fig. 14. HR205 exploded view of parts keyed to HR Parts List.

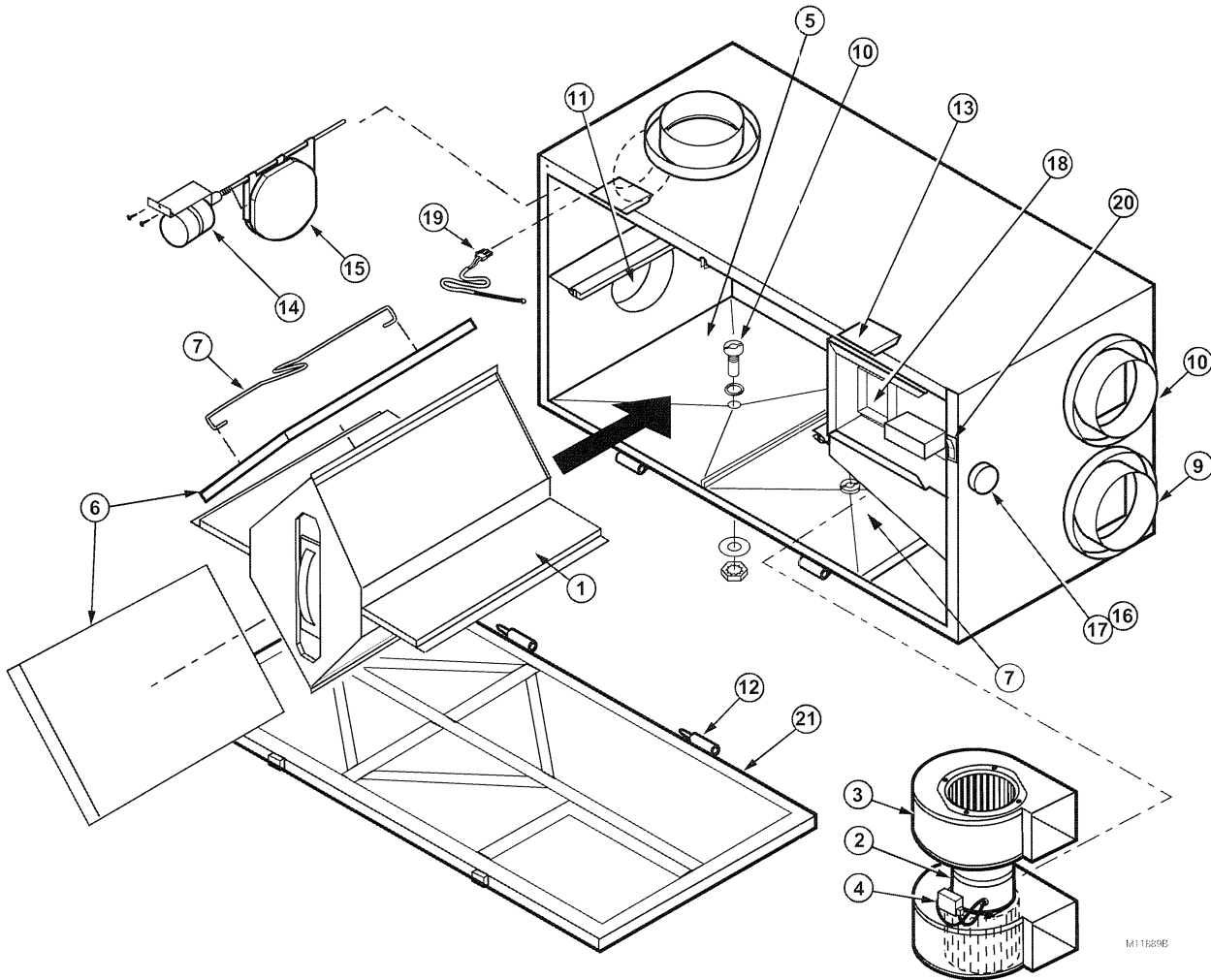


Fig. 15. ER150 and ER200 exploded view of ER Parts List.

**Honeywell**

**Automation and Control Solutions**

Honeywell International Inc.  
1985 Douglas Drive North  
Golden Valley, MN 55422

Honeywell Limited-Honeywell Limitée  
35 Dynamic Drive  
Scarborough, Ontario  
M1V 4Z9

