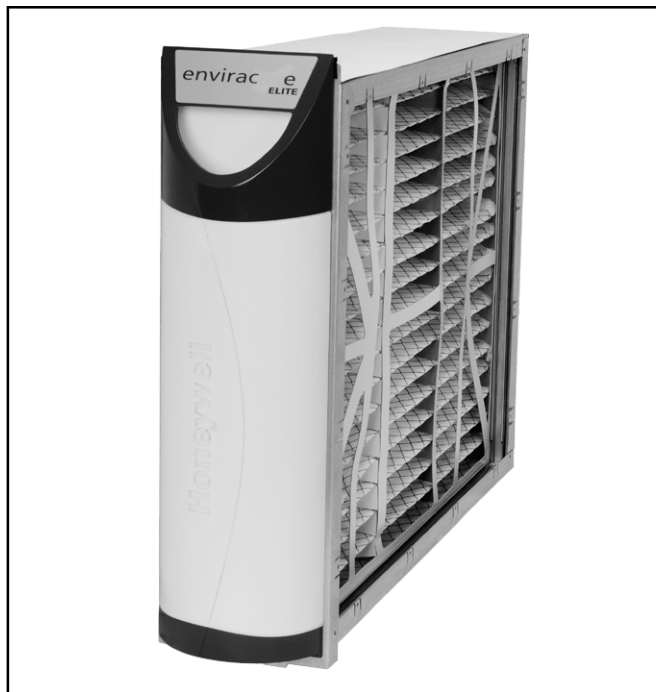




whole-house air quality system

F200E Charged-Media Air Cleaner

PRODUCT DATA



FEATURES

- Charged-Media filter captures particles as small as 0.3 micron.
- Efficiency and arrestance ratings based on the American Society of Heating, Refrigerating and Air Conditioning Engineers Standard 52.2-1999.
- Applicable to all gas, oil, and electric forced warm air furnaces and to compressor cooling up to 5 tons.
- Mounts in the return air duct.
- Cabinet can support weight of residential furnace and evaporator coil.
- Requires no electrical connections.
- Mounts in any position.
- Requires no maintenance except periodic media filter replacement.
- Quick and easy media filter replacement.
- Later upgrade to electronic air cleaner is easy.
- Integral pressure sensors signal when filter change is required based on increased pressure drop threshold at filter.
- Filter change status is transmitted to wall-mounted AIRWATCH™ Indicator.
- The RF AIRWATCH™ Indicator is included.

APPLICATION

The F200E Charged-Media Air Cleaner captures a significant amount of the air-borne particles from the air circulated through the unit.

SPECIFICATIONS

IMPORTANT

The specifications in this publication do not include normal manufacturing tolerances; therefore, an individual unit may not exactly match the listed specifications. This product is tested and calibrated under closely controlled conditions, and some minor differences in performance can be expected if those conditions are changed.

Model:

F200E Charged-Media Air Cleaner includes a cabinet, access door and pleated media filter, and an RF AirWatch™ Indicator.

Application:

Use with gas, oil, and electric forced warm air furnaces and with compressor cooling. Can be used with heat pumps if filter is changed regularly to prevent excessive pressure drop.

Efficiency:

Efficiency Ratings: Based on American Society of Heating, Refrigerating and Air-Conditioning Engineers Standard 52.2-1999.

Initial Efficiency: 43 percent (0.3 micron particles);
76 percent (1.0 micron particles)

Minimum Efficiency Reporting Value (MERV): 10 at 492 fpm.
Initial Dust Spot Efficiency: 61% (ASHRAE 52.1).



Filter Media: Pleated for greater media capacity.

Filter Element: Underwriters Laboratories, Inc.: UL 900, Class 2 Listed.

Capacity And Pressure Drop: See Fig. 2.
Initial Pressure Drop: 0.177 in. wc at 492 fpm.

Temperature Rating: -40° to +140°F (-40° to +60°C).

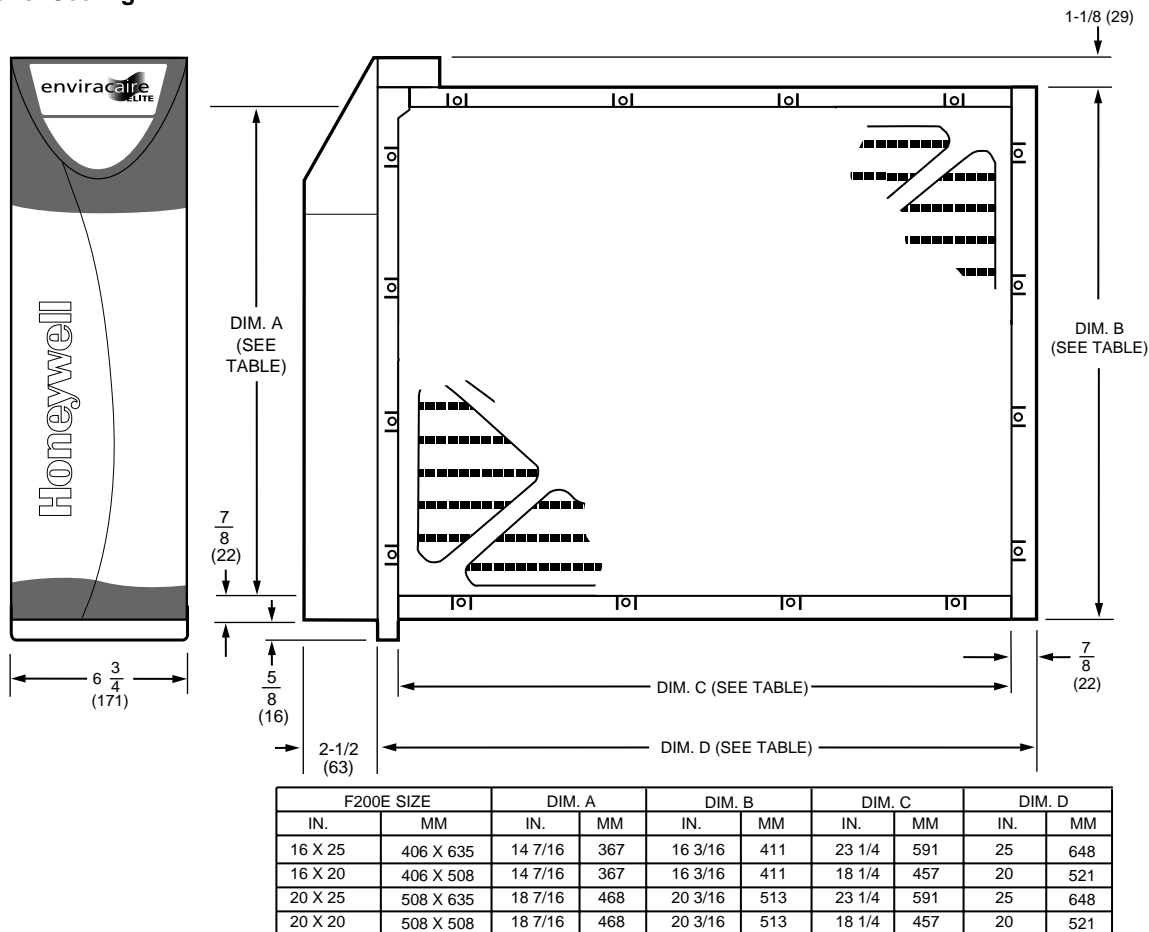
Dimensions: See Fig. 1.

Mounting:

Mounts in any position in the return air duct, usually next to the furnace blower compartment. Cabinet is sturdy enough to support weight of a residential furnace and evaporator coil.

Upgrade Path:

The F200E uses the same cabinet as the F300 Electronic Air Cleaner. Upgrade may require installing the cell key, electronic cells, protective screens and installation and wiring of the power box, depending on model.



M14784

Fig. 1. Installation dimensions in in. (mm) of air cleaner.

ORDERING INFORMATION

When purchasing replacement and modernization products from your TRADELINE® wholesaler or distributor, refer to the TRADELINE® Catalog or price sheets for complete ordering number.

If you have additional questions, need further information, or would like to comment on our products or services, please write or phone:

1. Your local Home and Building Control Sales Office (check white pages of your phone directory).
2. Home and Building Control Customer Relations
Honeywell Inc., 1985 Douglas Drive North
Golden Valley, Minnesota 55422, 1-800-468-1502
3. Website: www.honeywell.com/yourhome/

In Canada—Honeywell Limited/Honeywell Limitée, 35 Dynamic Drive, Scarborough, Ontario M1V 4Z9.
International Sales and Service Offices in all principal cities of the world. Manufacturing in Australia, Canada, Finland, France, Germany, Japan, Mexico, Netherlands, Spain, Taiwan, United Kingdom, U.S.A.

Media Replacement :

Replace the filter at least annually or when the built-in pressure sensors in the F200E door detect that airflow is impaired and the filter requires cleaning. This condition causes the indicator light on the F200E door to begin flashing and the transmitter to send a signal to the wall-mounted RF Indicator that the filter needs replacing.

After replacing the filter, press the reset button on the F200E door to reset both the door indicator light and the RF AIRWATCH Air Cleaner Indicator. (See Table 1 for AIRWATCH operation.)

Filter Size (in.)	Part Number
16 x 25	FC200E1029
16 x 20	FC200E1003
20 x 25	FC200E1037
20 x 20	FC200E1011

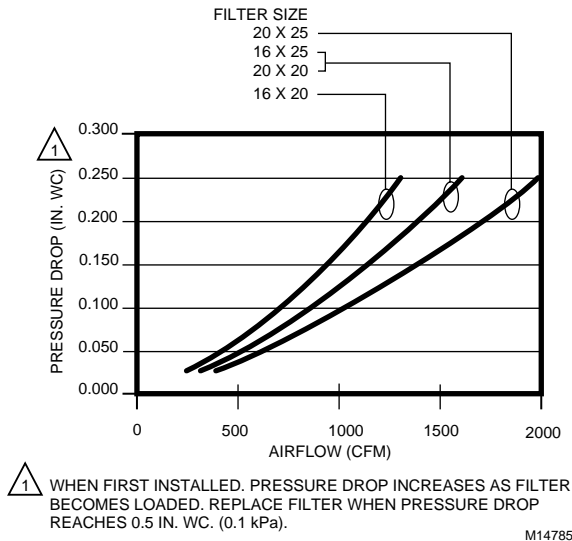


Fig. 2. Capacity, Pressure Drop and Area of F100F Filter Media.

PLANNING THE INSTALLATION

Location

The media air cleaner should be installed where all the air passing through the system is circulated through it. The best location is in the return air duct next to the blower compartment so the media air cleaner can help to keep the blower motor and evaporator coils clean. Do not mount in the supply air duct.

For most efficient air cleaning, spread airflow evenly across the face of the media. If the duct is a different size than the media air filter cabinet, gradual transitions are required. If the duct turns sharply just before the air filter, turning vanes are required.

Choose a location that is readily accessible for checking and replacing the filter. Allow at least 26 in. (660 mm) clearance in front of the unit for removal of the cartridge.

Install the media air filter where the temperature will not exceed the ratings in the Specifications.

Applications With Air Conditioning

Mount the media air cleaner upstream of the evaporator coil in a cooling system. The filter will help to keep the coil clean and reduce maintenance.

Applications With A Humidifier

The media air cleaner is compatible with humidifiers. Avoid applications where water mist will reach the media. If an atomizing humidifier is used, the filter media will require replacement more often because of minerals in the water.

Choose Mounting Position

The media air cleaner can be mounted in any position, but the arrow on the cartridge must point in the same direction as the airflow. See Figs. 3-10 for proper location of the media air cleaner for a variety of furnace installations. Note that the media air cleaner cabinet is sturdy enough to easily support the weight of the furnace and evaporator coil. See Fig. 4.

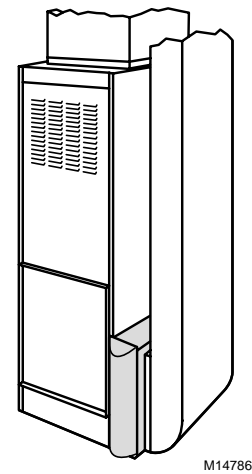


Fig. 3. Highboy furnace, with side installation. Media air filter is mounted vertically where return enters side inlet of furnace.

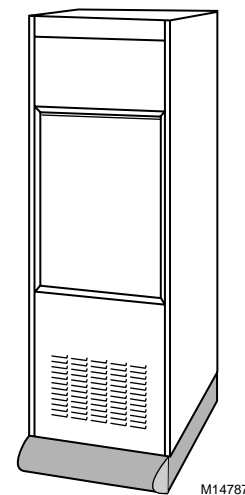


Fig. 4. Highboy furnace, with installation beneath furnace. Media air cleaner is mounted horizontally where return enters from below.

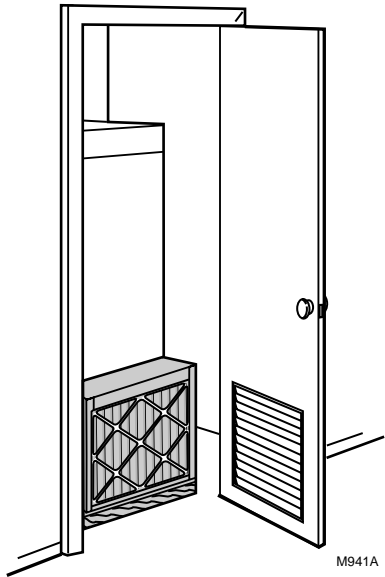


Fig. 5. Highboy furnace, with closet installation. Media air cleaner is mounted vertically on furnace between furnace and louvered return air opening in closet door.

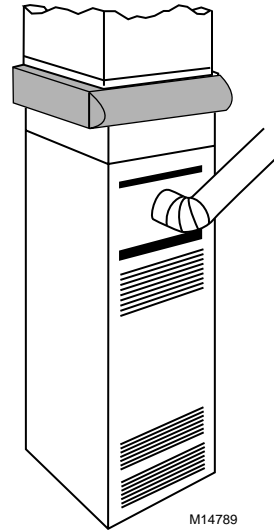


Fig. 7. Counterflow furnace, with media air cleaner mounted horizontally in return duct or plenum just above furnace.

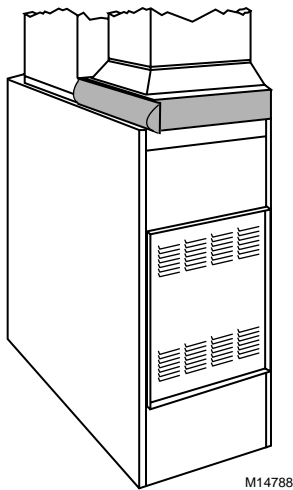


Fig. 6. Lowboy furnace, with media air cleaner mounted horizontally in return plenum just above furnace and opposite heating plenum.

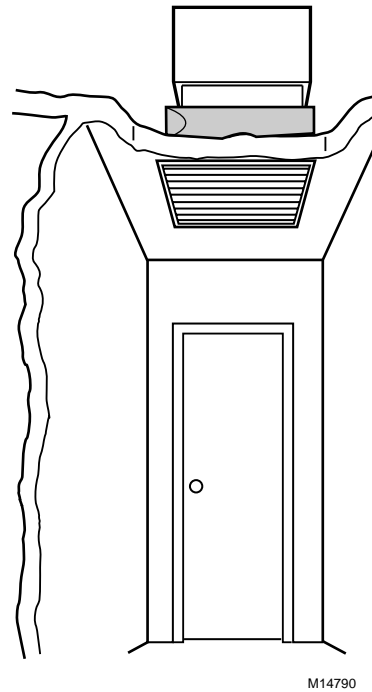
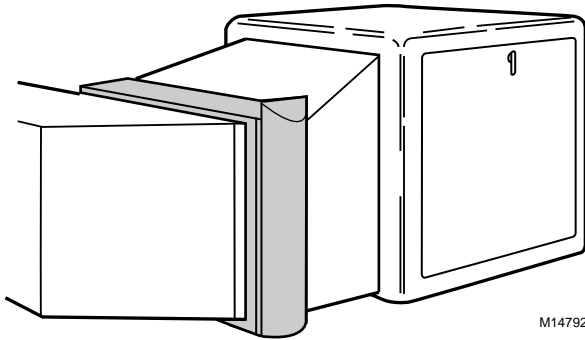
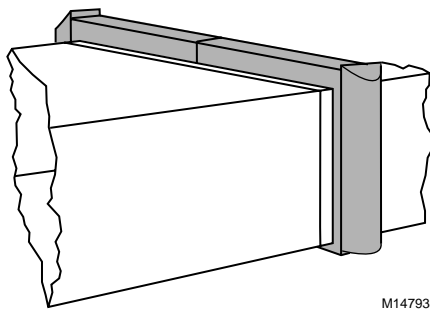


Fig. 8. Central fan installation, with media air cleaner mounted horizontally in central return duct.



M14792

Fig. 9. Horizontal furnace, with media air filter mounted vertically in return duct near furnace.



M14793

Fig. 10. Two or more media air cleaners used in a high capacity system.

Determining Sheetmetal Requirements

The media air cleaner is adaptable to all new or existing forced air heating and cooling systems used in residential applications. Transitions or turning vanes may be required in some applications for effective media air cleaner operation.

Transitions

Transitions are needed when the duct is a different size than the media air cleaner cabinet. Follow these guidelines when fabricating:

1. Use gradual transitions to reduce air turbulence and increase efficiency. See Fig. 11.
2. Use no more than 20 degrees (about 4 in. per running ft. (100 mm per 300 linear mm)) of expansion on each side of a transition fitting.

Turning Vanes

If the media air cleaner is installed next to an elbow or angle fitting, add turning vanes inside the angle to distribute airflow more evenly across the face of the media. See Fig 12.

Offsets

If the duct connection to the furnace in a side installation allows less than 7 in. (178 mm) for mounting media air cleaner cabinet, attach an offset to the elbow. See Fig. 13.

DUCT SIZE CHANGED GRADUALLY TO PREVENT TURBULENCE.

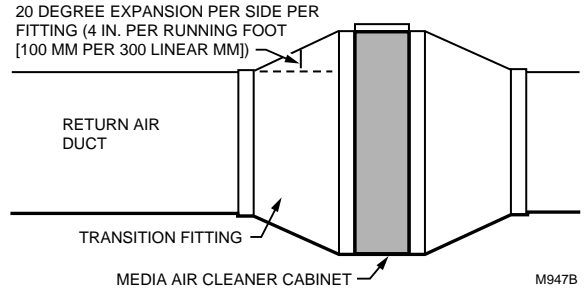


Fig. 11. Duct size changed gradually to prevent turbulence.

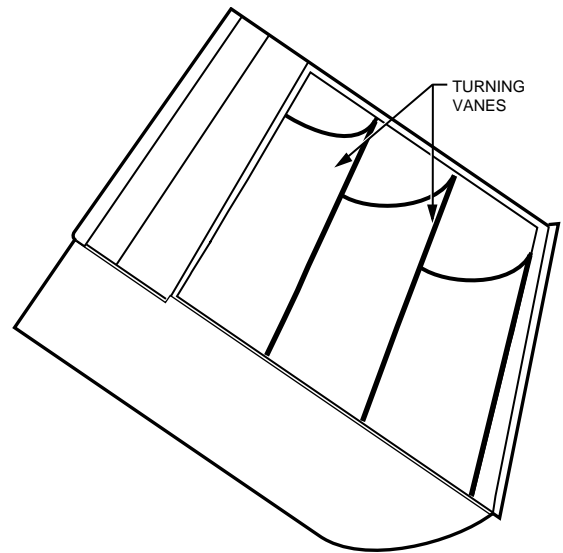
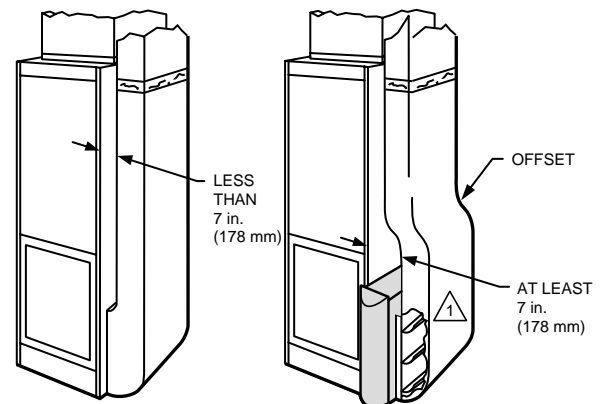


Fig. 12. Turning vanes installed in bend help distribute airflow evenly over face of media.



△ REQUIRED TURNING VANES HELP DISTRIBUTE AIRFLOW EVENLY. M14794

Fig. 13. Typical use of duct offset to make room for media air cleaner.

INSTALLATION AND CHECKOUT

When Installing this Product...

1. Read these instructions carefully. Failure to follow them could damage the media air filter or cause a hazardous condition.
2. Check the ratings given in the instructions and on the media air cleaner to make sure the product is suitable for your application.
3. Installer must be a trained, experienced service technician.

Remove Furnace Filter And Clean Blower Compartment

Before starting the installation, remove and discard the existing furnace filter (if used). Thoroughly clean the blower compartment. If possible, power vacuum the ductwork to remove accumulated dust in an occupied home or remove construction dirt in a new home. The media air cleaner cannot remove dirt that has settled in the blower compartment and distribution ducts.

Install The Cabinet

The following procedure describes a typical side installation on an existing highboy furnace. Alternate procedures are noted as appropriate. Other changes in installation procedures may be necessary to complete your installation.

Review The Installation Plan

Temporarily place the cabinet on the floor, oriented as it will be when installed. Insert and remove the cartridge to make sure the plan allows adequate clearance for easy removal and replacement of the cartridge.

Make sure that shop-fabricated sheetmetal components, such as turning vanes, are available.

Fasten The Cabinet To The Furnace

Align the cabinet with the return air opening. Place blocks under the cabinet, as necessary, to make sure the unit sits securely. Create an opening in the furnace to match the cabinet opening. Attach the cabinet securely to the furnace. Attach the unit directly or fit a starting collar in the furnace opening. Either drill holes and fasten with sheetmetal screws or rivets, or use slip joints. If you are drilling holes, use a locking pliers to help hold the unit in place during drilling.

Install Turning Vanes

Install turning vanes to help distribute air equally over the full surface of the upstream side of the media. Install them whenever an abrupt 90 degree elbow is installed directly against the media air cleaner cabinet.

Fasten Cabinet To Ductwork

Fasten side of cabinet to the ductwork using sheet-metal screws, rivets, or slip joints, as appropriate.

Connect Ductwork

Connect the vertical duct section to the elbow. If the vertical drop of the duct is less than 7 in. (178 mm) from the side of the furnace, shorten the horizontal trunk or attach an offset fitting to the elbow. See Fig. 12. When ductwork is properly aligned, connect the vertical duct to the horizontal trunk.

Seal Joints

Seal all joints in the return air system between the media air filter and the furnace to prevent dust from entering the clean airstream.

Install Filter Cartridge

Slide the filter cartridge into the cabinet, making sure the arrow on the cartridge points in the direction of air flow.

Replace access door. Insert the tab on the bottom of the door into the slot in the cabinet. Swing the door closed and press it into place.

Install RF AIRWATCH™ Indicator

The AIRWATCH Indicator provides a signal when the F200E filter needs replacing. When the filter begins restricting airflow because of accumulated dirt, pressure sensors in the F200E initiate a radio frequency signal to be sent to the AIRWATCH Indicator. The AIRWATCH Indicator also provides the capability to track when the humidifier pad and the ultraviolet air treatment lamps need replacing.

To set up the AIRWATCH Indicator to accept signals from the F200E transmitter:

1. Push and hold the AIRWATCH Indicator button until all four arrows come on (about five seconds).
2. Push the reset button on the F200E door within two minutes.
3. Observe that the Indicator arrows continue to flash for about two minutes and then automatically reset.

The AIRWATCH Indicator default setting is UV Light and Humidifier timers are disabled; the Filter indicator is always enabled. To display active timers:

1. Press and hold the button on the AIRWATCH Indicator for about three seconds.
2. Observe the arrow showing the active timer(s).

To activate a timer:

1. Press and release the AIRWATCH Indicator button until the desired device is selected, as indicated with the flashing arrow.
2. Press and hold the button until the arrow stops flashing.
3. Release the button while the arrow is on.

To deactivate a timer:

1. Press and release the AIRWATCH Indicator button until the desired device is selected, as indicated with the flashing arrow.
2. Press and hold the button until the arrow turns off (about four seconds).
3. Release the button while the arrow is off.

Install Battery

1. Remove the AIRWATCH Indicator from the base:
 - a. Depress the tab on the bottom edge of the base.
 - b. Pull off the bottom of the front cover.
2. Install one CR123A Lithium Battery (provided) in the holder on the back of the unit.
3. Observe that the On/Battery LCD segment comes on.

Select Location

The RF AIRWATCH™ is designed to blend with the latest T8600 family of Honeywell Chronotherm® IV Thermostats. It can also be mounted in any other convenient location in the living area of the home. See Fig.14.

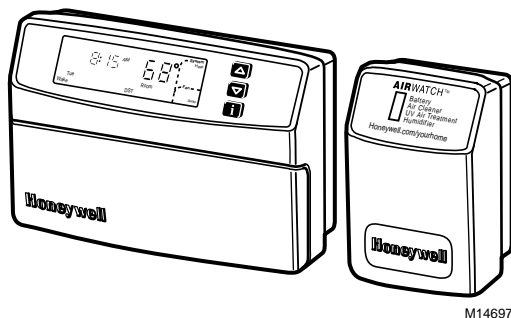


Fig.14. Selecting mounting location.

1. Select the desired location.
2. Check for communication between the F200E Media Air Cleaner and the AIRWATCH Indicator as follows:
 - a. Place the AIRWATCH Indicator in the desired mounting location. Use a piece of masking tape to hold the device to the wall.
 - b. At the F200E, press the reset button on the door.
 - c. Verify that the arrows on the AIRWATCH Indicator are flashing. (The arrows will flash for about two minutes before returning to normal.)
3. If there is no response on the AIRWATCH Indicator, choose another location within the home and begin again at step 2.

Mount AIRWATCH™ Indicator

1. Remove the AIRWATCH Indicator from the base:
 - a. Depress the tab on the bottom edge of the base.
 - b. Pull off the bottom of the front cover.
2. Position the base on the wall in the desired mounting position; using the holes in the base as a template, mark the locations for the anchors and screws provided. Also mark location of round hole in center of base when using the central antenna.
3. Drill holes (3/16in.) and install the screw anchors provided. Drill an additional 3/16 in. hole for the external antenna, if required.
4. Position the base over the holes and install the screws provided; tighten the screws until the base is mounted firmly to the wall.
5. Reinstall AIRWATCH Indicator onto base:
 - a. Insert the antenna wire into the hole in the wall, if required.
 - b. Hook the top.
 - c. Snap the bottom into place.

AIRWATCH™ Indicator Operation

The Indicator has an LCD with four indicator segments: On/Battery, Air Cleaner, UV Air Treatment and Humidifier. See Table 1.

Replace AIRWATCH™ Indicator Battery

1. Remove Indicator from mounting base.
2. Remove the battery.
3. Replace battery using only CR123A Lithium battery .
4. Reinstall device onto mounting base.

Checkout

Visually check the installation. Make sure:

- Airflow is in the direction of the arrow on the media air filter cartridge.
- Turning vanes and transitions, if used, are properly installed.
- Joints in sheetmetal between media fir filter and fur-nace are sealed.
- All sheetmetal connections are complete.
- Original furnace filter has been removed and blower compartment is cleaned.

Replace any access doors removed during the Installation or Checkout.

Run the furnace or cooling system through one complete cycle to make sure the system operates as desired.

Table 1. AIRWATCH Indicator LCD Description.

AIRWATCH™ Indicator Condition	Meaning/Action
No indicator on.	AIRWATCH™ has no power; replace battery.
On/Battery indicator on continuously.	AIRWATCH™ is functioning normally.
On/Battery indicator flashing.	Flashing two seconds on, six seconds off: Replace battery in the F200E door. Do not press any reset buttons after battery change. Flashing two seconds on, two seconds off: Replace battery in AIRWATCH. Do not press any reset buttons after battery change. Flashing alternates between two seconds on, six seconds off; then two seconds on, two seconds off: Replace the batteries in both units. Do not press any reset buttons after battery change.
Air Cleaner indicator flashing.	Signal was received from transmitter, indicating either excessive pressure drop or 12-month timer in F200E expired. Replace filter and press reset button on F200E door.
UV Air Treatment indicator flashing or Humidifier indicator flashing.	UV lamp(s) or humidifier pad needs replacing. Replace parts. On the AIRWATCH, push and release button until desired device indicator is flashing. Then press button again and hold until Indicator comes on continuously; then release.
All indicators flashing.	System is in check-out mode. Indicators flash for two minutes, then AIRWATCH automatically resets.

Honeywell

Choose better indoor air for your family by installing Honeywell solutions.

You'll enhance your comfort and peace of mind.



Ultraviolet Air Treatment System
Zap airborne germs and prevent mold spore growth on air conditioning coils



Whole-House Air Cleaner
Trap a high percentage of airborne particles



Whole-House Humidifier
Moisturize parched air, maintaining 40% to 60% humidity to minimize adverse health effects



Zoning System
Control temperature by area in your home, adding convenience and improving comfort



PerfectWindow® Air Exchanger
Ventilate your home to assure fresh air while minimizing energy loss



Programmable Thermostat
Save up to 30% in annual energy costs with this easy-to-use thermostat that's accurate to within ±1°

Honeywell

Home and Building Control
Honeywell
1985 Douglas Drive North
Golden Valley, MN 55422

Home and Building Control
Honeywell Limited-Honeywell Limitée
35 Dynamic Drive
Scarborough, Ontario
M1V 4Z9

